

# MEMS Optical Switch (OPTICO 7203 Series)

Ideal for OADM, OXC, system monitoring and protection.



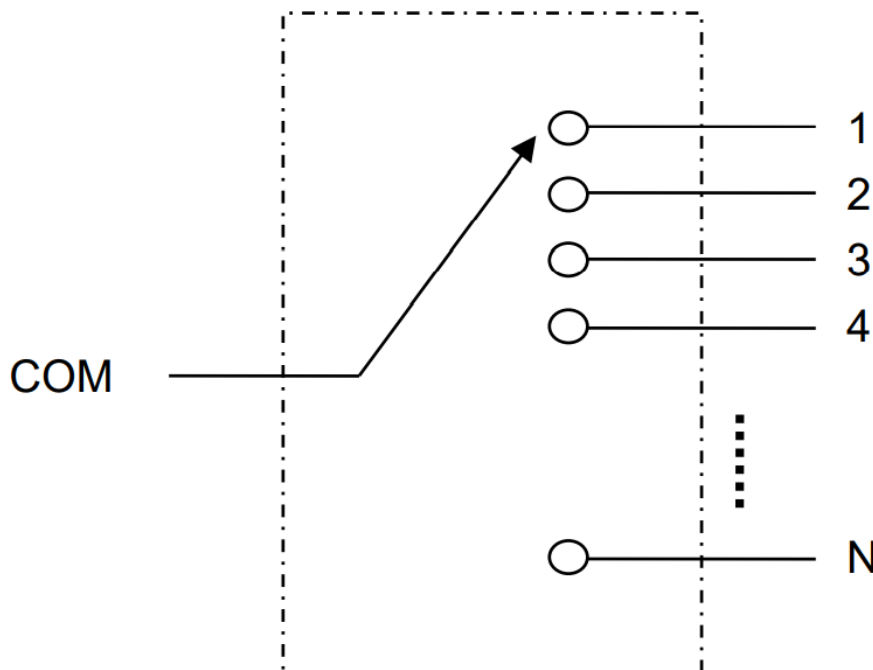
## • Description:

Compared with the traditional mechanical optical switch, MEMS optical switch has the characteristics of small size, small polarization loss and high power consumption. At the same time, the mechanical optical switch has the advantages of low insertion loss, low crosstalk, low polarization sensitivity, high extinction ratio, high switching speed, small size and easy large-scale integration.

## • Features:

- low insertion loss
- Wide wavelength range
- low channel crosstalk
- High stability, high reliability
- Perfectly used in metropolitan area network, laboratory research and development, system testing, dynamic configuration add-drop multiplexing.

## • Optical path diagram :



• Pin Definition:

Pin	Name	Description	I/O	Specification	Unit
1	NC	Not Connected			
2	VCC	Power Supply	IN	5±0.2	VDC
3	/STROBE	Strobe signal, Falling Edge Active	IN	LVTTTL	
4	GND	Ground	IN		
5	D0	Data0 Input	IN	LVTTTL	
6	D1	Data1 Input	IN	LVTTTL	
7	D2	Data2 Input	IN	LVTTTL	
8	NC	Note Connected			
9	TXD	UART transmit	OUT	LVTTTL	
10	RXD	UART receive	IN	LVTTTL	
11	GND	Ground	IN		
12	NC	Not Connected			
13	D3	Data3 Input	IN	LVTTTL	
14	/RESET	Hardware Reset, Logic low active	IN	LVTTTL	

• Parameter:

Item	Specification		
Wavelength Range(nm)	850±20 MM	1400~1700 MM	1310±20/1550±20/1625±20 MM
Testing wavelength(nm)	850 MM	1550 MM	1310/1550 MM
Insertion loss(dB)	0.8 (TYP) 1.0(MAX)N≤8 1.0 (TYP) 1.6(MAX)N≤1.6		0.8 (TYP) 1.0(MAX)N≤8 1.0(TYP) 1.5(MAX)≤16
Return loss(dB)	MM≥25		SM≥40
Crosstalk(dB)	MM≥30		SM≥45
PDL(dB)	≤0.15		
WDL(dB)	≤0.3		
TDL(dB)	≤0.25		
Repeatability (dB)	≤0.1		
Life(cycles)	≥109		
Switching time (ms)	≤20 N≤8, ≤30 N≤16		
Max Optical Power (mW)	≤500		
Operating voltage(V)	5±0.2		
Operating Temperature(oC)	-40~+85		
Relative humidity(%)	5~95%		
Dimensions(mm)	TYPE:B (L)65x(W)24.7x(H)11		